

flower collection

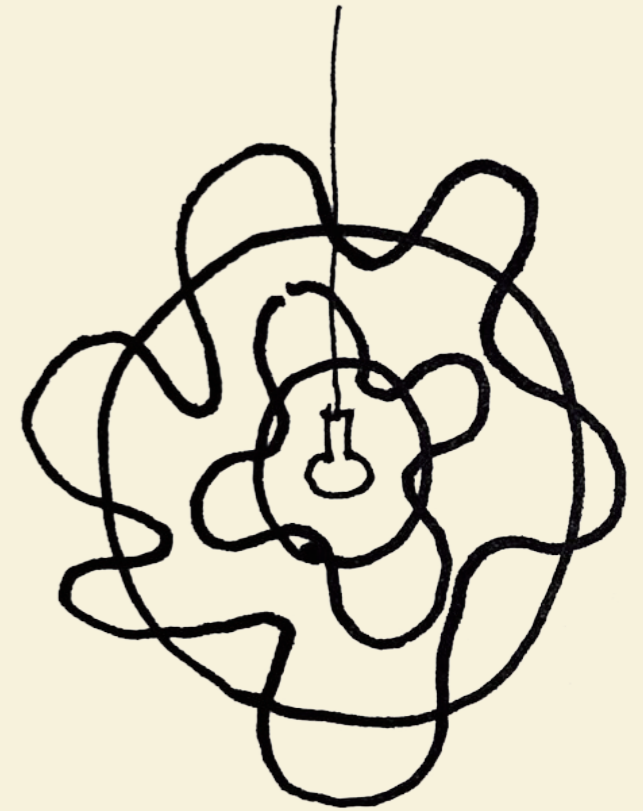


Petalia & Lilea

by A+U LAB



flower collection



Petalia and **Lilea** are a luminaire collection by **A+U LAB**. Labeled the Flower Collection, its shape, material, and light effects create a unique atmosphere.

Petalia





The composition of curvilinear lines and undulating surfaces of the paper, fabric, and metal sheets, allow soft diffused lights to filter through the layered shades, generating variable texture tones and accentuating the shape of the fixture. The soft light effects that project into the space produce an enticing ambiance, shaping the pervading mood of the place.





A light-colored, modern sofa with several pillows, positioned against a white wall. The sofa has a clean, minimalist design with a low back and thin metal legs.

A white floating shelf mounted on the wall, holding a vase with dried plants, a stack of books, and a magazine. The shelf is positioned above the coffee table and below the window.

A clear acrylic coffee table with a square top and thin legs, positioned in front of the sofa.

A unique, multi-tiered pendant light fixture hanging from the ceiling. It consists of several layers of translucent, pleated shades that create a soft, diffused light.

A window with white curtains, allowing natural light to enter the room. The curtains are light-colored and have a subtle texture.



Lilea





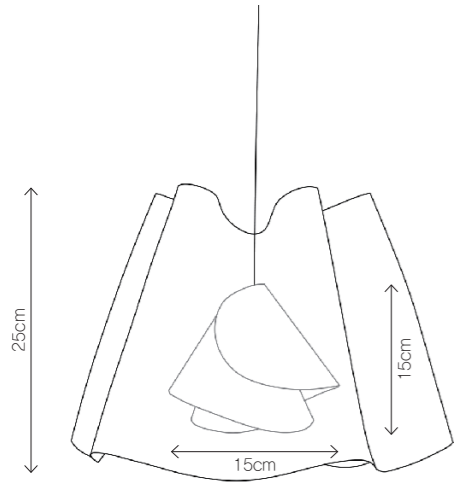


The lamps are available in three pendants and two floor lamp sizes that can be placed or hung individually in a small space or multiple lights combined in a larger area. The collection allows the creation of varying compositions to suit the spatial quality of a place. The handmade production assures that each lamp is unique with quality craftsmanship.





Petalia Small



COMPONENT MATERIALS



SUPPORT AND CABLE
Shade Ring – Acrylic Plate
Shade Tie – Stainless Steel Wire
Cord Grip – Plastic
Lamp Cord – Cloth Covered Wire
Socket – Plastic

BULBS
E14 LED 470lm Opaque 220V 60Hz 4.5W

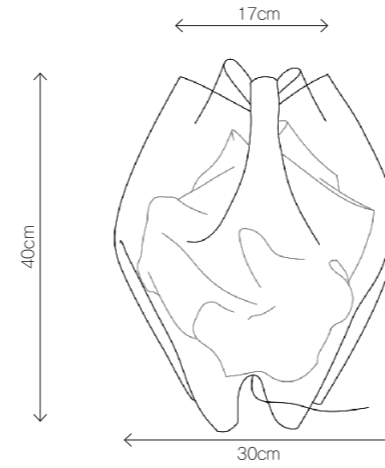
OTHER DATA

NET SIZE
30cm (w) x 25cm (h)

NET WEIGHT
1kg

PACKAGING
40cm (w) x 40cm (d) x 35cm (h)
2kg

Lilea Small



COMPONENT MATERIALS



SUPPORT AND CABLE
Shade Ring – Acrylic Plate
Shade Tie – Stainless Steel Wire
Cord Grip – Plastic
Lamp Cord – Cloth Covered Wire
M10x1 Connector – Chrome
Socket – Chrome

BULBS
E26 LED 470lm Opaque 220V 60Hz 4.5W

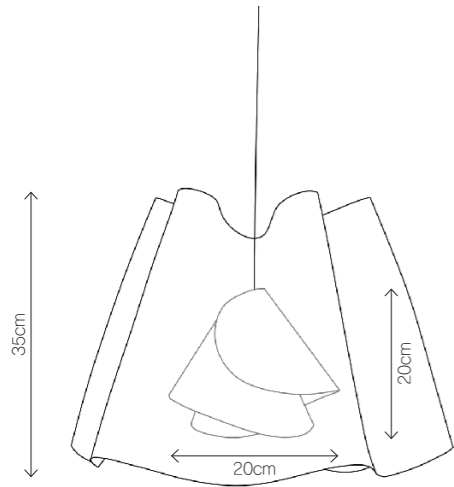
OTHER DATA

NET SIZE
30cm (w) x 40cm (h)

NET WEIGHT
1.5kg

PACKAGING
45cm (w) x 45cm (d) x 45cm (h)
2.5kg

Petalia Medium



COMPONENT MATERIALS



SUPPORT AND CABLE
Shade Ring – Acrylic Plate
Shade Tie – Stainless Steel Wire
Cord Grip – Plastic
Lamp Cord – Cloth Covered Wire
Socket – Plastic

BULBS
E14 LED 470lm Opaque 220V 60Hz 4.5W

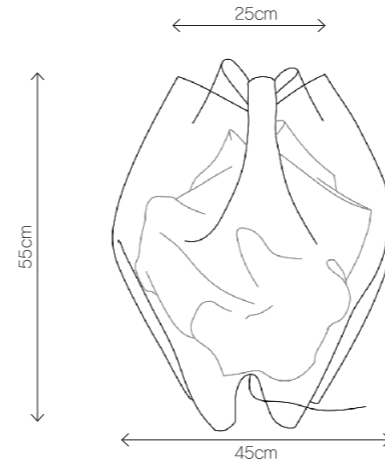
OTHER DATA

NET SIZE
45cm (w) x 35cm (h)

NET WEIGHT
1.5kg

PACKAGING
50cm (w) x 50cm (d) x 40cm (h)
2.5kg

Lilea Large



COMPONENT MATERIALS



SUPPORT AND CABLE
Shade Ring – Acrylic Plate
Shade Tie – Stainless Steel Wire
Cord Grip – Plastic
Lamp Cord – Cloth Covered Wire
M10x1 Connector – Chrome
Socket – Chrome

BULBS
E26 LED 470lm Opaque 220V 60Hz 4.5W

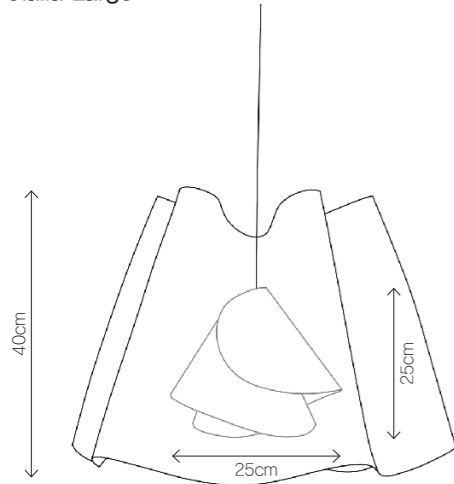
OTHER DATA

NET SIZE
45cm (w) x 55cm (h)

NET WEIGHT
3kg

PACKAGING
60cm (w) x 60cm (d) x 60cm (h)
4kg

Petalia Large



COMPONENT MATERIALS



SUPPORT AND CABLE
Shade Ring – Acrylic Plate
Shade Tie – Stainless Steel Wire
Cord Grip – Plastic
Lamp Cord – Cloth Covered Wire
Socket – Plastic

BULBS
E14 LED 470lm Opaque 220V 60Hz 4.5W

OTHER DATA

NET SIZE
50cm (w) x 40cm (h)

NET WEIGHT
2kg

PACKAGING
60cm (w) x 60cm (d) x 45cm (h)
3kg

A+U LAB

www.au-lab.net/lighting